

Category 6A UTP Modular Plug for 23-24 AWG solid cable

specifications

Category 6A/Class E_A, 8-position, 8-wire, UTP modular plug shall terminate Panduit 4-pair, 23-24 AWG, 100 ohm, solid unshielded twisted pair patch cable with maximum conductor insulation diameter of 0.048 in. (1.22mm) and maximum jacket diameter of 0.315 in. (8.00mm).



Category 6A UTP Modular Plug

100/pack: SP6X88-C

Tools and Accessories

Termination tool: CSPT

Crimp tool: MPT5-8AS

Wire prep tool: WPT-8

RJ45 plug lock-in device (standard): PSL-DCPLX[^]

RJ45 plug lock-in device (recessed): PSL-DCPLRX[^]

technical information

Category 6A/Class E_A component performance:	Exceeds ANSI/TIA Category 6A and ISO Class E _A performance requirements when properly terminated to Panduit Category 6A UTP copper cable
Cable jacket diameter range:	0.275 (6.99mm) – 0.315 in. (8.00mm)
Conductor insulation diameter range:	0.040 (1.02mm) – 0.048 in. (1.22mm)
FCC and ANSI compliance:	Meets ANSI/TIA-1096-A (formerly FCC Part 68)
IEC compliance:	IEC-60603-7
PoE compliance:	Supports PoE, PoE+, and proposed Type 3 and 4 PoE++ applications for up to 100 W
RoHS compliance:	Compliant
Conductor termination:	Compatible with Panduit [®] TX6A [™] 10Gig [™] UTP Horizontal Copper Cable
Plug Housing:	UL94V-0 rated clear Polycarbonate
Contacts:	Gold plated phosphor bronze
Operating temperature:	14°F to 140°F (-10°C to 60°C)
Storage temperature:	-40°F to 158°F (-40°C to 70°C)

[^]For colors other than Red, add suffix -BL (Black), -BU (Blue), -GR (Green), -YL (Yellow), -OR (Orange), IW (Int'l White), or -IG (Int'l Gray) to the end of the part number.10/package. Add -C for bulk packages of 100.

key features and benefits

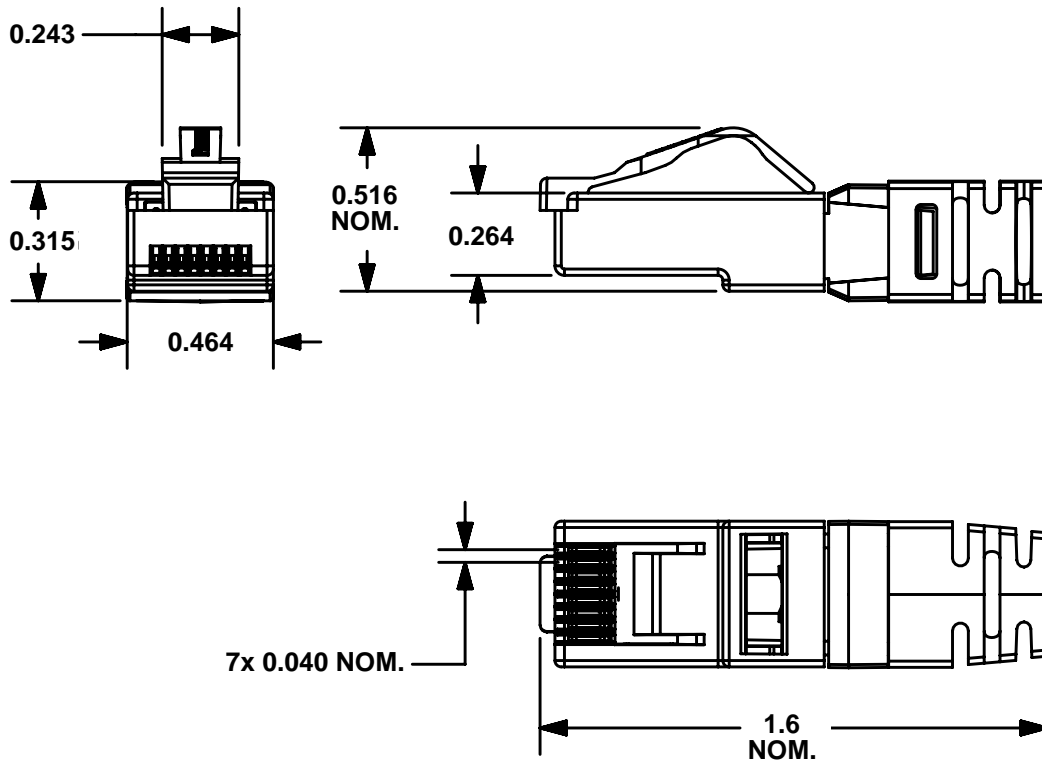
Patented tangle-free latch:	Prevents snags and provides easy release, saving time and providing reliability on frequent moves, adds, and changes
Robust construction	Rated to 2500 mating cycles

applications

Category 6A plugs allow customers to meet performance requirements in ISO 11801 Class EA, IEEE 802.3an-2006 and ANSI/TIA-568-C.2 Category 6A standards to support transmission at speeds up to and including 10GBASE-T. These plugs can be used in applications with data centers and

connections to high end workstations such as stacking switches and switch-to-switch links, storage area networks, aggregation of Gigabit Ethernet channels, real-time intensive financial transactions, streaming video, animation, scientific modeling, and medical imaging.

Category 6A UTP Modular Plug for 23-24 AWG cable



WORLDWIDE SUBSIDIARIES AND SALES OFFICES

PANDUIT CANADA
Markham, Ontario
cs-cdn@panduit.com
Phone: 800.777.3300

PANDUIT EUROPE LTD.
London, UK
cs-emea@panduit.com
Phone: 44.20.8601.7200

PANDUIT SINGAPORE PTE. LTD.
Republic of Singapore
cs-ap@panduit.com
Phone: 65.6305.7575

PANDUIT JAPAN
Tokyo, Japan
cs-japan@panduit.com
Phone: 81.3.6863.6000

PANDUIT LATIN AMERICA
Guadalajara, Mexico
cs-la@panduit.com
Phone: 52.33.3777.6000

PANDUIT AUSTRALIA PTY. LTD.
Victoria, Australia
cs-aus@panduit.com
Phone: 61.3.9794.9020

For a copy of Panduit product warranties, log on to www.panduit.com/warranty

For more information

Visit us at www.panduit.com

Contact Customer Service by email: cs@panduit.com
or by phone: 800.777.3300

PANDUIT[®]

©2015 Panduit Corp.
ALL RIGHTS RESERVED.
COSP355--WW-ENG
8/2015